

# 3 Shelf Unit

## ASSEMBLY INSTRUCTIONS PAGE 1

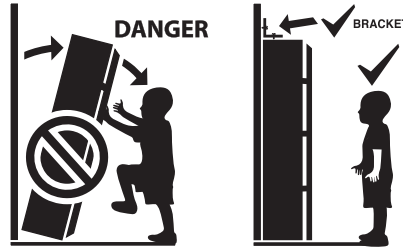
(ASSEMBLE ON A LEVEL, CLEAN SURFACE)

**WHITE MATT FINISH**

90cm H | 90cm W | 30cm D

**CARE CAUTION:** TO CLEAN PARTICLE BOARD WITH MELAMINE FINISH, PLEASE CLEAN WITH A SOFT, DRY CLOTH. DO NOT USE CHEMICALS OR DETERGENTS AND AVOID WATER AND DIRECT SUNLIGHT.

**WARNING: Tip-over hazard.**



**WARNING:** It is **STRONGLY RECOMMENDED** that you **ANCHOR** this product by installing the **ANTI-TIP BRACKET** and **SCREWS** (Step 4) and **ATTACHING** the *Faulkner 3 Shelf Unit* to a **SOLID, FLAT WALL**.

**DANGER: TOPPLING FURNITURE CAN CAUSE SERIOUS INJURIES AND DEATH.**

**IMPORTANT:** Regularly check that Anti-Tip Bracket and Screws are securely maintained. Stability of tall items may be affected by thick carpets and uneven floors, or uneven and unstable walls.

**SAFETY:** Carefully check for any electrical wires or plumbing inside the wall before drilling any holes (If unsure, contact a qualified Tradesman).

Walls are constructed from different materials (i.e: Masonry = Solid Wall, Plasterboard = Hollow Wall) so it is important to use appropriate wall fixings and screws for your wall type. Your local Hardware Store will stock the necessary extra screws, drill bits and fixings, and can offer suitable advice if needed. **DO NOT** place TV Sets or other heavy objects on top of this Unit. **DO NOT** overload the shelves of this Unit.

**NEVER** allow children or adults to climb or hang on this Unit.

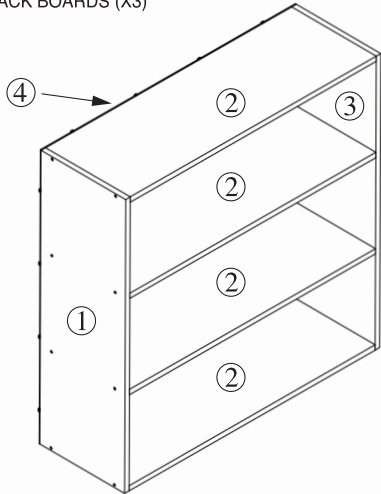
**PANELS:**

- ① - LEFT SIDE
- ② - SHELVES
- ③ - RIGHT SIDE
- ④ - BACK BOARDS (X3)

**IMPORTANT**

WHEN THE THIN EDGE OF A PANEL FACES FORWARD IN A UNIT, THAT EDGE SHOULD ALWAYS BE WHITE

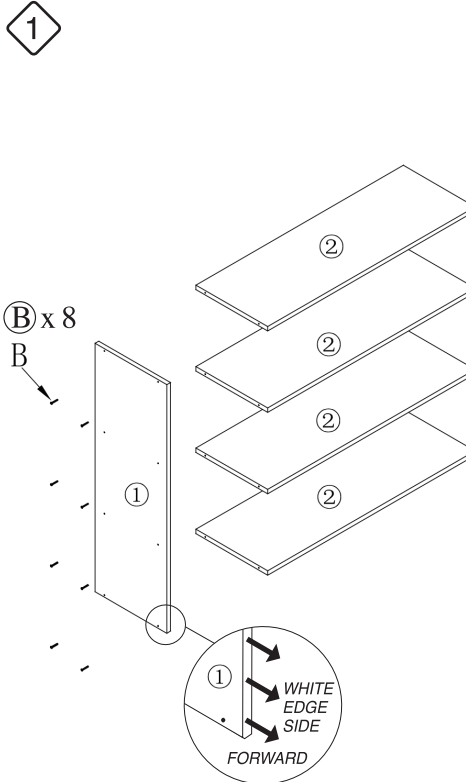
TWO PERSON ASSEMBLY RECOMMENDED



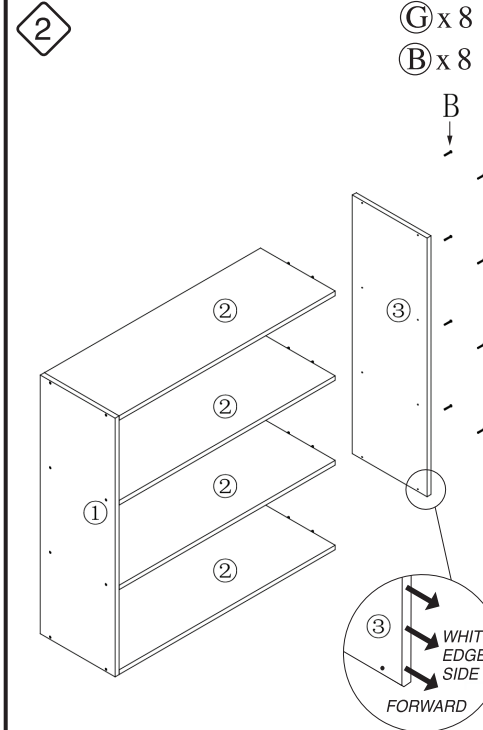
ID	DIAGRAM / DESCRIPTION	Qty
A		1
B		16
C		24
D		2
E		2
F		2
G		16
H		6
I		1

### ASSEMBLY:

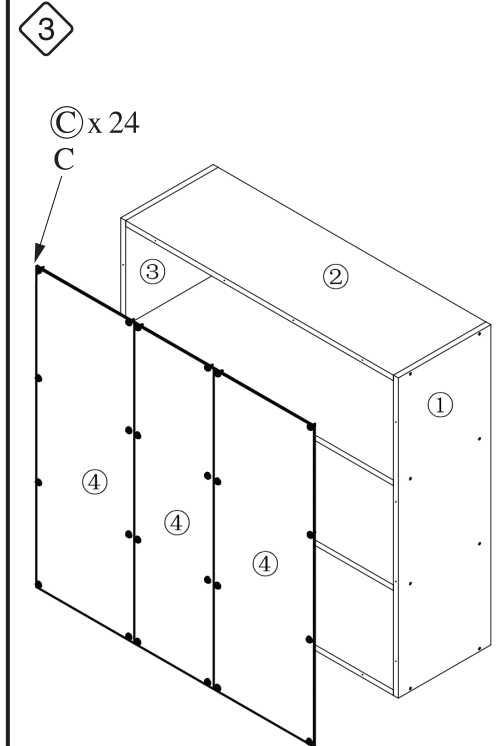
**STEP 1**



**STEP 2**



**STEP 3**



# 3 Shelf Unit

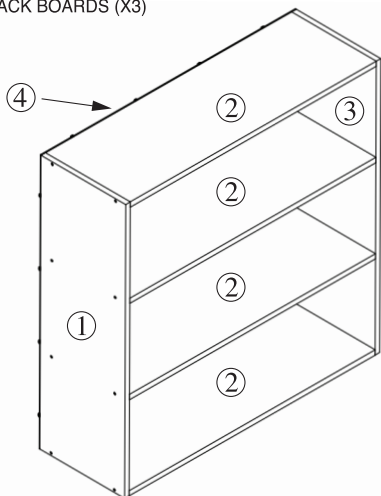
## ASSEMBLY INSTRUCTIONS PAGE 2

(ASSEMBLE ON A LEVEL, CLEAN SURFACE)

### PANELS:

- ① - LEFT SIDE
- ② - SHELVES
- ③ - RIGHT SIDE
- ④ - BACK BOARDS (X3)

**IMPORTANT**  
WHEN THE THIN EDGE OF A PANEL FACES FORWARD IN A UNIT, THAT EDGE SHOULD ALWAYS BE WHITE



ID	DIAGRAM / DESCRIPTION	Qty
A		1
B		16
C		24
D		2
E		2
F		2
G		16
H		6
I		1

### WHITE MATT FINISH

90cm H | 90cm W | 30cm D

**CARE CAUTION:** TO CLEAN PARTICLE BOARD WITH MELAMINE FINISH, PLEASE CLEAN WITH A SOFT, DRY CLOTH. DO NOT USE CHEMICALS OR DETERGENTS AND AVOID WATER AND DIRECT SUNLIGHT.

**WARNING: Tip-over hazard.**



**WARNING:** It is **STRONGLY RECOMMENDED** that you **ANCHOR** this product by installing the **ANTI-TIP BRACKET** and **SCREWS** (Step 4) and **ATTACHING** the *Faulkner 3 Shelf Unit* to a **SOLID, FLAT WALL**.

**DANGER: TOPPLING FURNITURE CAN CAUSE SERIOUS INJURIES AND DEATH.**

**IMPORTANT:** Regularly check that Anti-Tip Bracket and Screws are securely maintained. Stability of tall items may be affected by thick carpets and uneven floors, or uneven and unstable walls.

**SAFETY:** Carefully check for any electrical wires or plumbing inside the wall before drilling any holes (If unsure, contact a qualified Tradesman).

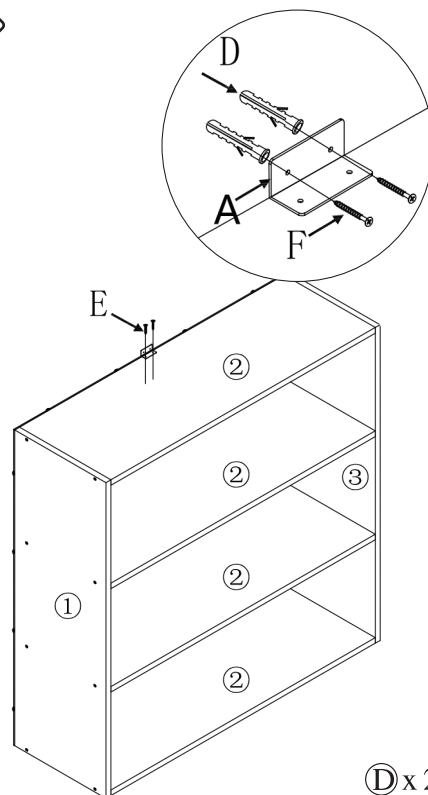
Walls are constructed from different materials (i.e: Masonry = Solid Wall, Plasterboard = Hollow Wall) so it is important to use appropriate wall fixings and screws for your wall type. Your local Hardware Store will stock the necessary extra screws, drill bits and fixings, and can offer suitable advice if needed. **DO NOT** place TV Sets or other heavy objects on top of this Unit. **DO NOT** overload the shelves of this Unit.

**NEVER** allow children or adults to climb or hang on this Unit.

### ASSEMBLY:

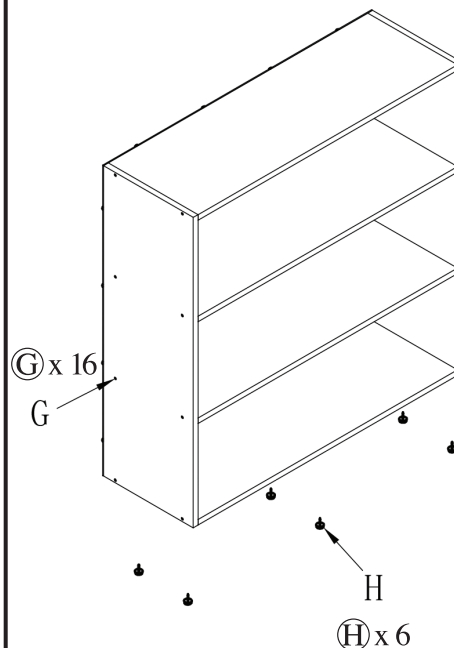
8/22

#### STEP 4



- ⓓ x 2
- ⓕ x 2
- ⓔ x 2
- ⓐ x 1

#### STEP 5



COMPLETE